

## SPD (E series) DOUBLE-SIDED TOOTH COUPLINGS

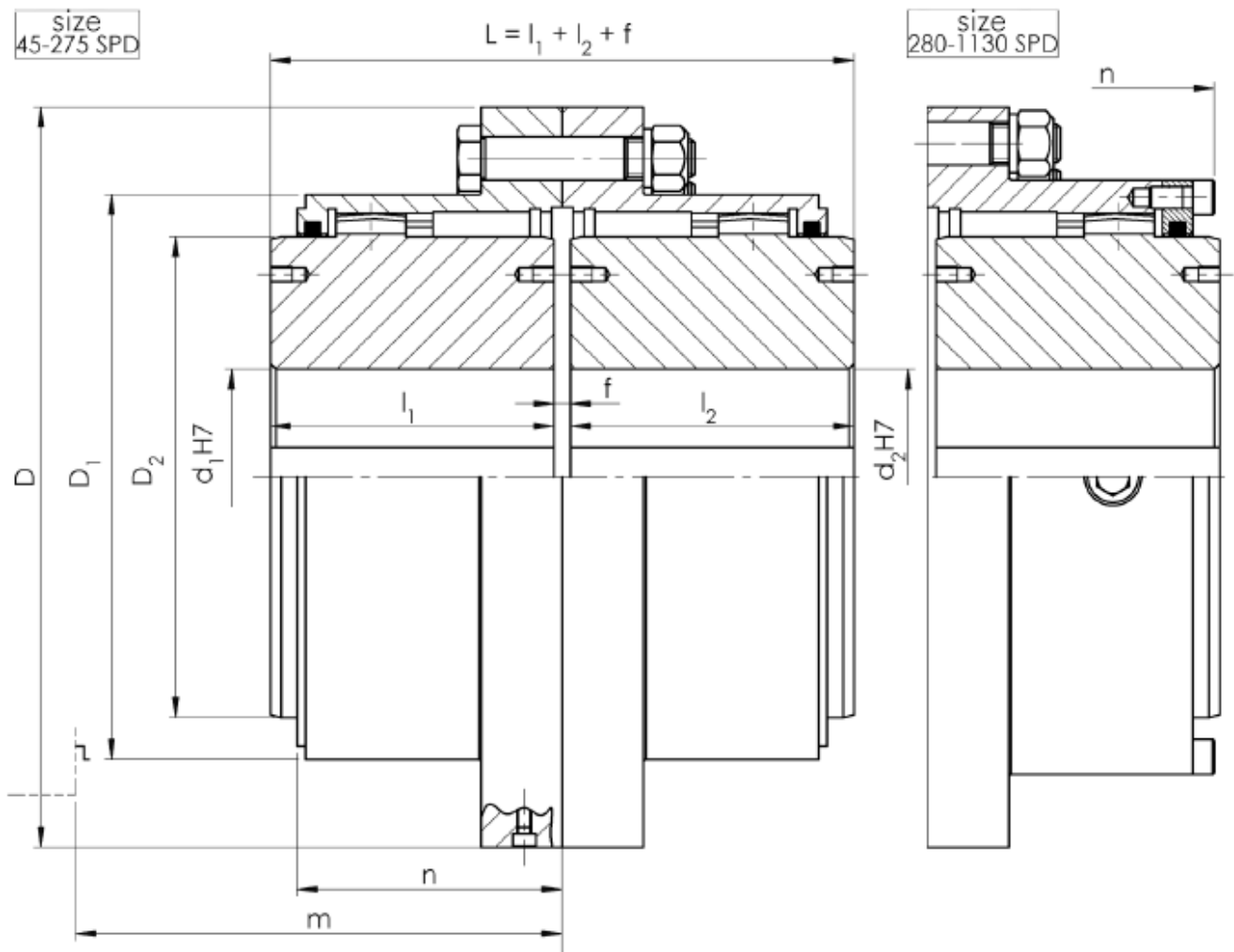
Example of designation: of the SPD type coupling with the nominal torque of  $M_n=22000$  Nm, hub holes diameters of  $d_1=60$  mm,  $d_2=80$ mm, hub holes lengths  $l_1=105$  mm,  $l_2=105$  mm, size of 130:

cat. page no.

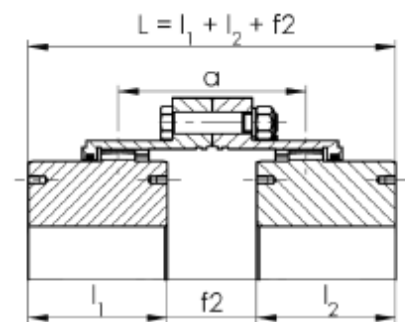
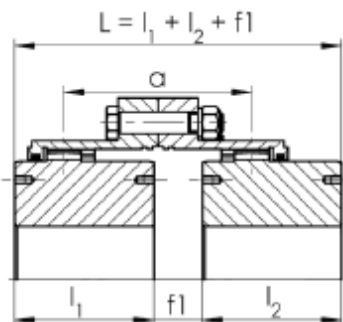
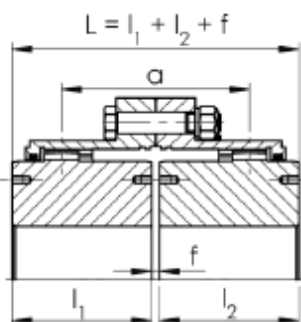
SPD/E

10.2014

22000-60/105-80/105-130 SPD double-sided tooth coupling



Ustawienie piast o długościach nominalnych:



Nominal torque $M_n$	$d_1, d_2$		$l_1, l_2$		f	D	$D_1$	$D_2$	n	$m^1$		Max rotational speed <sup>2)</sup> $n_{max}$	Moment of inertia <sup>3)</sup> I	Weight <sup>4)</sup> m	SPD coupling size
	max	nom.	extended	nom.						extended					
Nm	mm										1/min	kgm <sup>2</sup>	kg	-	
1300	45	43	80	3	111	80	67	41	73,5	81,5	5000	0,005	4,1	45	
2800	60	50	114	3	141	103,5	87	47	83	115,5	4400	0,015	8	60	
5000	75	62	130	3	171	129,5	106	58,5	106	131,5	4000	0,04	14,6	75	
10000	95	76	146	5	210	156	130	68,5	124,5	148,5	3600	0,105	26,1	95	
16000	110	90	165	5	234	181	151	82	147,5	167,5	3350	0,191	38,8	110	
22000	130	105	170	6	274	209	178	98	175	175	3100	0,43	59,2	130	
32000	155	120	190	6	312	247	213	108,5	196	196	2800	0,842	89,4	155	
45000	175	135	200	8	337	273	235	121	220	220	2700	1,32	117,5	175	
62000	195	150	220	8	380	307	263	132	242	242	2550	2,448	167,1	195	
84000	215	175	250	8	405	338	286	151,5	281	281	2450	3,716	222,4	215	
115000	240	190	280	8	444	368	316	165	308	308	2300	5,384	275	240	
174000	275	220	350	10	506	426	372	183,5	344	355	2150	10,872	413,6	275	
488000	280	280	410	10	591	472	394	225	316	447,5	1900	20,1	591	280	
580000	320	292	470	13	640	518	432	234	330	467,5	1800	31	760	320	
740000	360	305	-	13	684	562	480	251	352,5	-	1500	45	932	360N	
900000	400	330	-	13	742	620	530	269	372,5	-	1400	68	1180	400N	
1120000	450	350	-	13	804	682	594	283	385	-	1300	105	1532	450N	
1260000	500	370	-	19	908	733	629	301	412,5	-	1150	164	1950	500	
1500000	530	395	-	19	965	787	673	318	435	-	1050	228	2330	530	
1720000	560	420	-	19	1029	841	724	333	450	-	900	313	2840	560	
2040000	600	440	-	25	1092	892	772	361	495	-	800	430	3370	600	
2580000	660	460	-	25	1200	997	870	375	510	-	550	685	4370	660	
4040000	730	540	-	25	1330	1130	965	408	565	-	450	1161	6110	730	
4900000	830	590	-	25	1440	1240	1062	448	605	-	380	1756	7810	830	
6140000	900	630	-	25	1545	1345	1156	483	645	-	325	2580	9730	900	
7220000	1000	670	-	25	1650	1450	1254	528	700	-	280	3690	11860	1000	
8780000	1060	690	-	25	1750	1550	1346	538	710	-	240	5090	14220	1060	
10080000	1130	700	-	25	1860	1660	1448	548	720	-	220	6730	16380	1130	

SPD coupling size	45	60	75	95	110	130	155	175	195	215	240	275	280	320	360N	400N	450N
f	3	3	3	5	5	6	6	8	8	8	8	10	10	13	13	13	13
f1	12	9	17	17	19	23	24	29	32	39	46	43	30	33	48	53	61
f2	21	15	31	29	33	40	42	50	56	70	84	76	50	53	83	93	109
a	55	59	79	93	109	128	144	164	182	214	236	263	310	325	353	383	411

We produce splineways as recommended, normally acc. to PN-70/M-85005, with the Js9 tolerance.  
Material – steel,

- <sup>1)</sup> Dimension defining pushing the basket aside in order to control the hubs position and check meshing.
- <sup>2)</sup> Higher rotational speed is possible on request.
- <sup>3)</sup> Moment of inertia was determined for couplings without holes.
- <sup>4)</sup> Weight was determined for couplings with lead holes.

Exemplary applications: pumps; fans; belt and roller conveyors; cranes and other machines and equipment. Deviations according to SP/0 sheet.

***We also offer special tailor-made versions.***