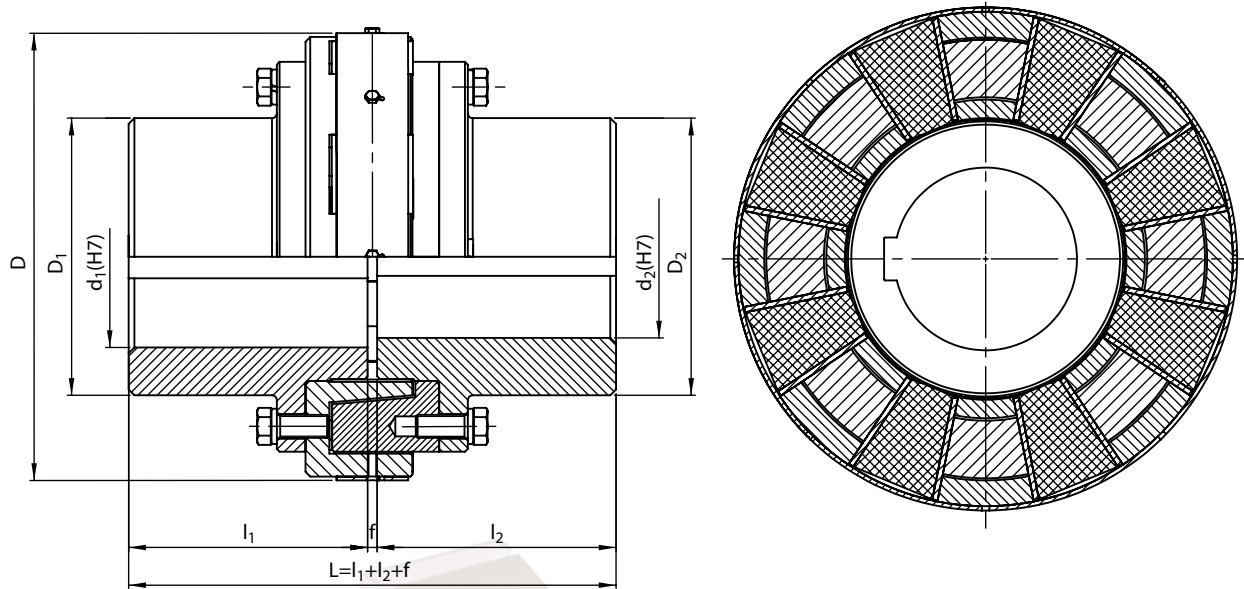


# SEK FLEXIBLE COUPLINGS

**Example of designation** of the SEK coupling with the nominal torque of  $M_n=40000$  Nm, hub holes diameters of  $d_1=140$  mm,  $d_2=180$ mm, hub holes lengths of  $l_1=240$  mm,  $l_2=280$  mm, size of 103: (marking see page A4-1)

**40000-140/240-180/280- 103 SEK Flexible Coupling**



A4-3

Nominal torque $M_n$	$d_1, d_2$		$l_1, l_2$ <sup>1)</sup>		f	D	$D_1, D_2$	Max rotational speed $n_{max}$	Moment of inertia <sup>2)</sup> I	Weight <sup>2)</sup> m	Coupling size and type			
	min	max.	nomin.	max.										
Nm	mm										1/min	kgm <sup>2</sup>	kg	-
14000	-	110	165	-	10	320	170	1000	0,72	73	101 SEK			
		140	200				205		0,88	82				
25000	-	140	200	-	10	405	210	900	2,13	132	102 SEK			
		160	240				240		2,40	149				
40000	100	180	240	280	10	480	290	750	5,81	243	103 SEK			
	100	200	280	280			305		6,35	261				
63000	120	180	240	280	20	560	300	600	10,43	334	104 SEK			
	120	210	280	280			320		11,06	348				
100000	140	220	280	330	20	610	375	500	17,72	475	105 SEK			
	140	250	330	330			395		19,65	515				

**We are also offering tailor-made special versions.**

We produce splineways as recommended, normally acc. to PN-70/M-85005, with the Js9 tolerance.

1) On request, we produce couplings with hub lengths different than the nominal and extended lengths provided in the table.

2) The weight and the moment of inertia have been determined for the coupling with the maximum holes and nominal lengths of the hubs.