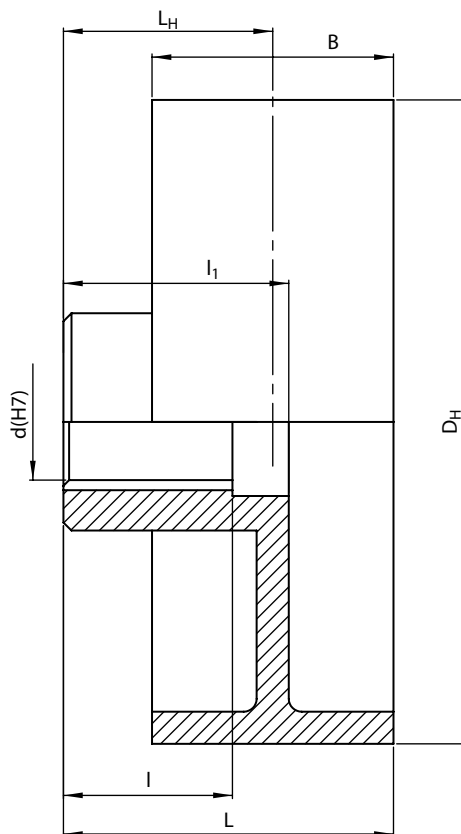


## BH BRAKE DRUMS

**Example of designation** of BH type brake drum of the external diameter of the drum  $D_H=400$ , the width of the drum jacket  $B=150$ , the distance of symmetry axis of the brake drum jacket from the beginning of the hub  $L_H=125$ , the diameter of the hole in the hub  $d=80$ , the length of the hole in the hub  $l=132$ ;

**400-150-125-80/132-400 BH Brake drums**



$D_H$	B	$d^{1)}$ max	$l^{2)}$ nom.	$L_H^{2)}$	L	$l_1^{2)}$	Max rotational speed $n_{max}$ 1/min	Moment of inertia <sup>3)</sup> I kgm <sup>2</sup>	Weight <sup>3)</sup> m kg	Drums size
120	50	32	60	60	85	66,5	5500	0,004	2,0	120 BH
160	60	40	84	70	90	90	4100	0,018	5,0	160 BH
200	80	40	84	80	120	90	3300	0,056	11,0	200 BH
250	100	50	84	80	130	90	2600	0,15	15,0	250 BH
320	120	65	107	106	166	122	2100	0,52	34,0	320 BH
400	150	80	132	125	200	141	1600	1,31	55,0	400 BH
500	190	100	157	132	227	157	1300	3,6	105	500 BH
630	235	100	167	160	277,5	185	1000	10,9	170	630 BH

**We are also offering tailor-made special versions.**

We produce splineways as recommended, normally acc. to PN-70/M-85005, with the Js9 tolerance. Material-steel

On request of the customer we produce the brake drums intended for the cooperation with ATP type insert couplings

- 1) the marking of the brake drum with lead hole in the hub (ow) according to the table, other parameters such as in the example of marking above:  
brake drum 400 – 150 – 125-ow/132- 400 BH
- 2) On request, we produce couplings with hub lengths different than the nominal and extended lengths provided in the table.
- 3) The weight and the moment of inertia have been determined for the brake drums with maximum hole in the hub without the splineway

Applications: belt and bucket conveyors; cranes; other machinery and equipment.