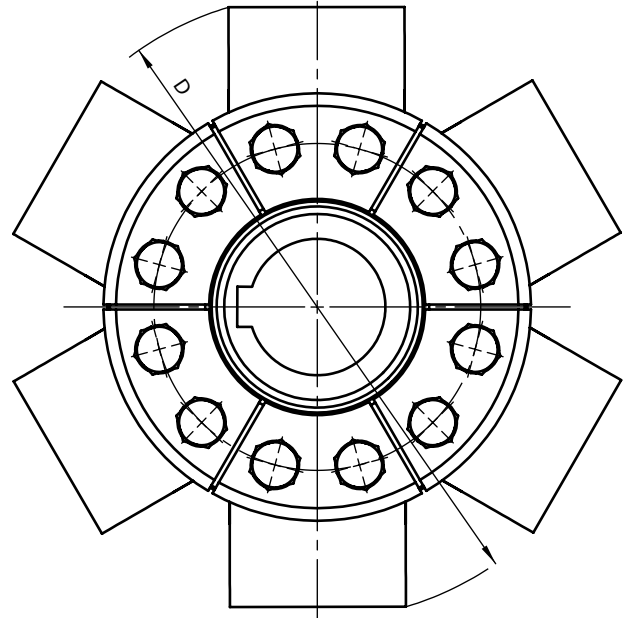
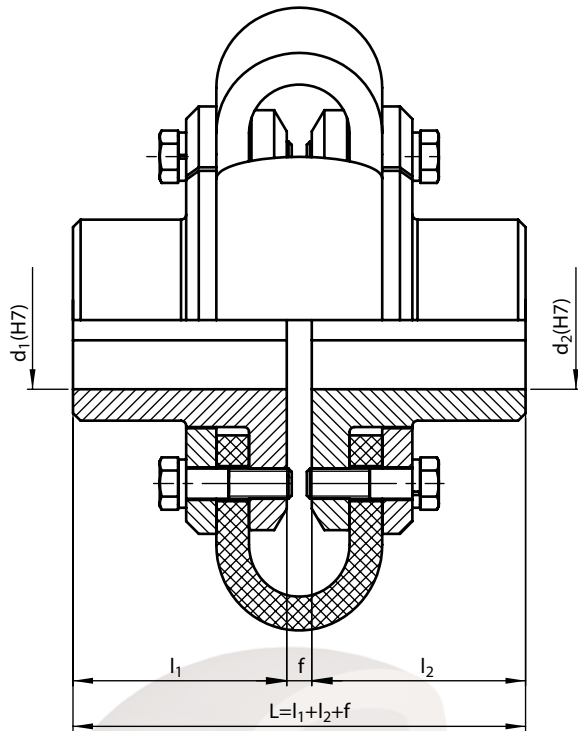


AUK BOW COUPLINGS

Example of designation of the AUK type coupling with the nominal torque of $M_n=500$ Nm, hub holes diameters of $d_1=40$ mm, $d_2=45$ mm, hub holes lengths of $l_1=80$ mm, $l_2=110$ mm, size of 003: (marking see page A5-1)

500-40/80-45/110 – 003AUK Bow Couplings

- the version „Ex” – 500-40/80-45/110 – 003AUK – **Ex** Bow couplings
- with lead holes – 500-**ow**/80-**ow**/110- 003 AUK Bow couplings



A5-5

Nominal torque M_n Nm	d_1, d_2	l_1, l_2 ¹⁾	D	f	Max rotational speed n_{max} 1/min	Moment of inertia ²⁾ I kgm ²	Weight ²⁾ m kg	Coupling size and type
	max.	nomin.						
	mm							
200	35	60	195	5	1500	0,016	6,8	001 AUK
360	45	80	210	5	1500	0,028	10,7	002 AUK
500	55	80	260	10	1500	0,120	16,2	003 AUK
800	65	110	280	10	1500	0,135	25,5	004 AUK
1250	75	140	300	10	1250	0,205	37,5	005 AUK
1600	85	140	360	15	1000	0,28	47,5	006 AUK
2500	110	170	420	20	1000	0,81	85,0	007 AUK

We are also offering tailor-made special versions.

We produce splineways as recommended, normally acc. to PN-70/M-85005, with the Js9 tolerance.

1) On request, we produce couplings with hub lengths different than the nominal and extended lengths provided in the table.

2) The weight and the moment of inertia have been determined for the coupling with the maximum holes and nominal lengths of the hubs.