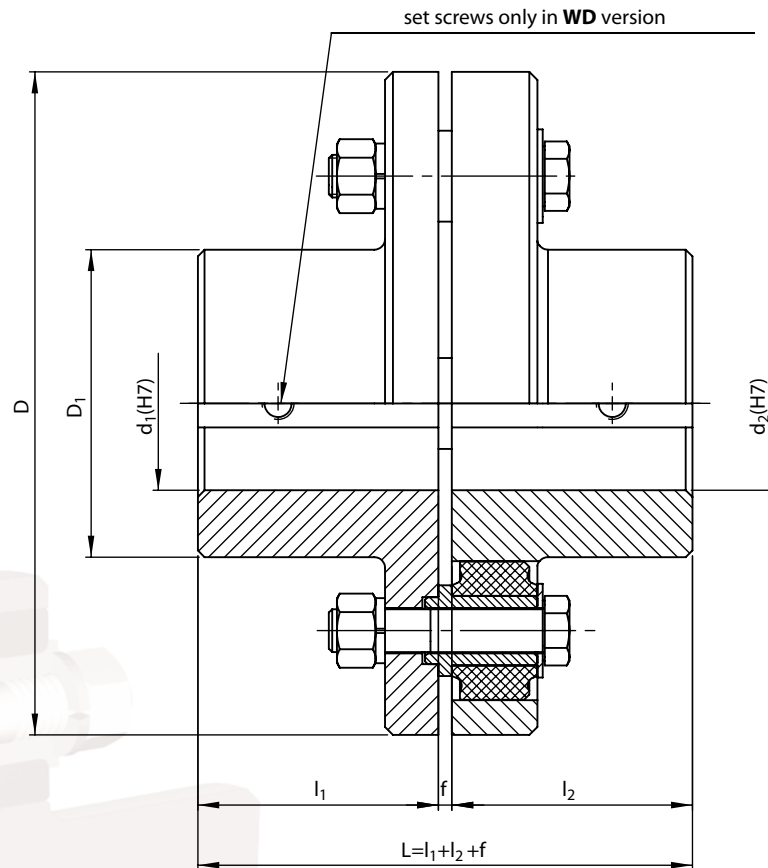


ASP RUBBER BUSH COUPLING

Example of designation of the ASP type coupling with the nominal torque of $M_n=510$ Nm, hub hole diameters of $d_1=50$ mm, $d_2=60$ mm, hub hole lengths of $l_1=75$ mm, $l_2=90$ mm, size of 083 in the A variant (marking see page A3-1).

510-50/75-60/90- 083 ASP-A Rubber Bush Coupling

- the version „Ex” - 510-50/75-60/90- 083 ASP-A –**Ex** Rubber Bush Coupling
- the version “WD” - 510-50/75-60/90- 083 ASP-A –**WD** Rubber Bush Coupling
- with lead holes $\Phi 20$ - 510-**ow**20/75-**ow**20/90- 083 ASP-A Rubber Bush Coupling



Nominal torque M_n	Variant	d_1, d_2 max	l_1, l_2 ¹⁾ nomin.	f	D	D_1	Max rotational speed n_{max}	Moment of inertia ²⁾ I	Weight ²⁾ m	Coupling size and type	
Nm	–	mm					1/min	kgm ²	kg	–	
20	B	18	30	2	78	30	8000	0,0008	1,11	077 ASP	
30	C										
35	B	22	35		90	35	6300	0,0014	1,51	078 ASP	
50	C										
50	A	25	40		105	40	5000	0,0027	2,11	079 ASP	
63	B										
80	C										
80	A	28	45		130	45	4000	0,006	3,26	080 ASP	
125	B										
160	C										

continuation of the table on the next page

continuation of the table from the previous page

Nominal torque M_n	Variant	d_1, d_2 max	l_1, l_2 ¹⁾ nomin.	f	D	D_1	Max rotational speed n_{max}	Moment of inertia ²⁾ I	Weight ²⁾ m	Coupling size and type
Nm	-	mm					1/min	kgm ²	kg	-
300	B	30	55	5	160	45	3000	0,025	7,90	081 ASP
400	C									
400	B	50	65		198	80	2500	0,059	12,9	082 ASP
540	C									
510	A	65	90		248	115	2000	0,15	24,2	083 ASP
680	B									
850	C									
1400	D									
1000	A	80	105		270	135	1800	0,23	31,1	084 ASP
1200	B									
1600	C									
2000	A	100	130		320	170	1500	0,50	51,1	085 ASP
3000	B									
4000	A	125	165	8	400	198	1200	1,70	102	086 ASP
6000	B									
7500	A	160	200		530	248	1000	5,30	189	087 ASP
12500	B									
15000	C									
16000	A	200	280		600	305	1000	10,1	310	088 ASP
21000	B									
25000	A	200	280		10	600	305	1000	14,0	375
36000	A	220	280	710		350	950	28,1	544	090 ASP
42000	A	250	330	800		410	850	48,2	784	091 ASP
56000	B									
65000	A	280	380	900		460	750	80,5	1080	092 ASP
74000	A	280	380	1000		460	670	114	1237	093 ASP
83000	B									

We are also offering tailor-made special versions.

We produce splineways as recommended, normally acc. to PN-70/M-85005, with the Js9 tolerance.

1) On request, we produce couplings with hub lengths different than the nominal and extended lengths provided in the table.

2) The weight and the moment of inertia have been determined for the coupling with the maximum holes and nominal lengths of the hubs

■ Couplings of the size of ASP 088 and bigger are normally balanced dynamically.