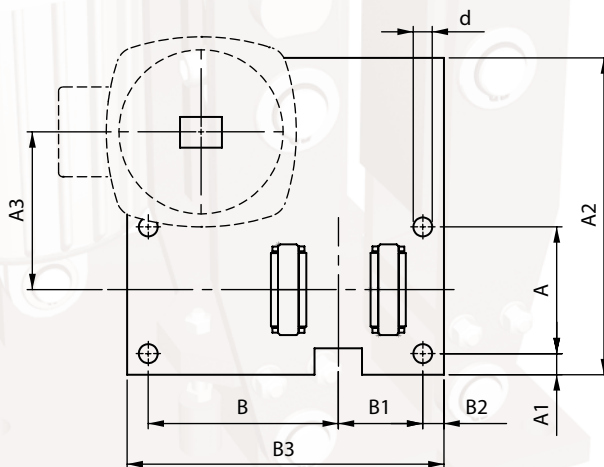
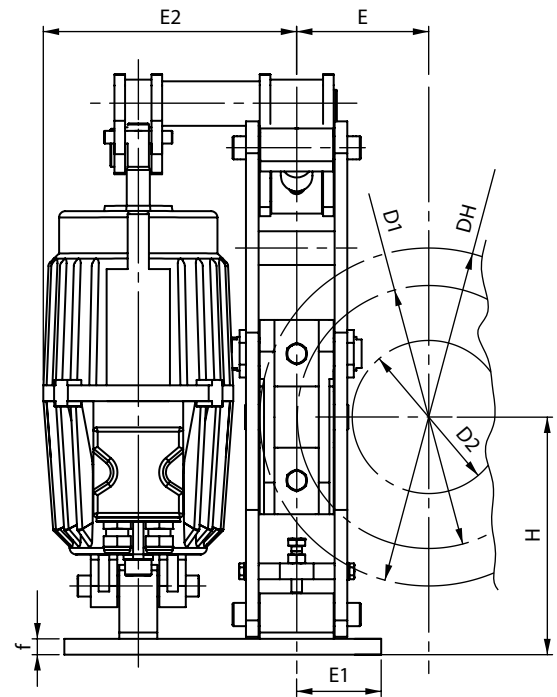
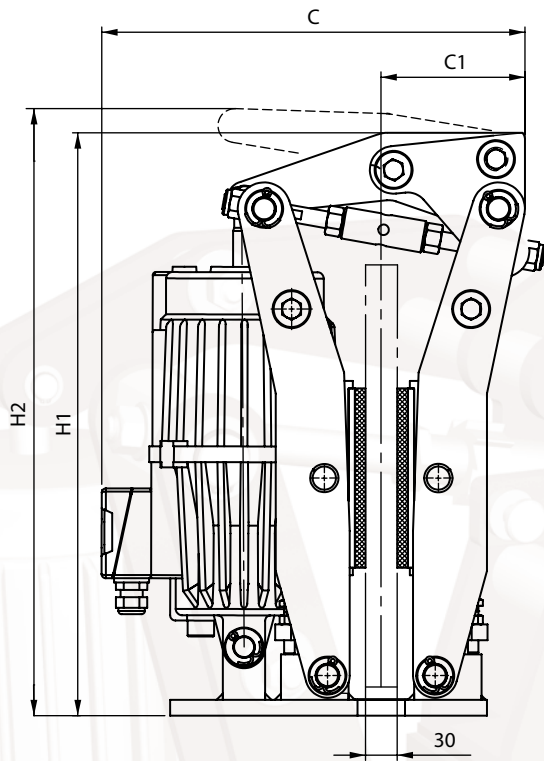


ATZ DISC BRAKES

with electrohydraulic thrustor

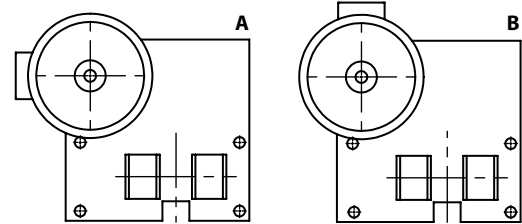
Example of designation of the ATZ brake working with the brake disc with the diameter of $D_H=400\text{mm}$ and thickness of $B=30\text{ mm}$, in the left version, with the terminal box in A position, with the ZE 500/50 S500. 400 V AC / 50 Hz electrohydraulic thrustor, size of 001: (marking see page B2-1)

400/30-L-A-ZE 500/50 S500.400 V AC/50 Hz-001 ATZ Disc Brake



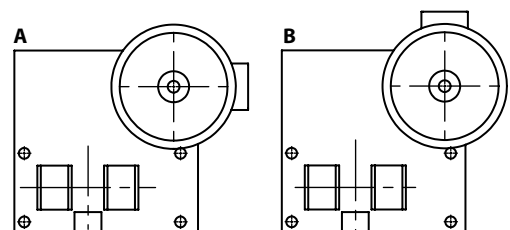
Brake in right version R

connection box in position:



Brake in left version L

connection box in position:



DISC BRAKES 001 ATZ						Weight: 55 kg ³⁾
Brake disc diameter D _H	Theoretical braking diameter D ₁	Maximum hub or coupling diameter D ₂	E	Braking moment M _H	Thrustor type	Thrustor supply ²⁾
mm				Nm	-	V/Hz
320	248	145	125	200	ZE 500/50 S 180 ZEW..., ZEM... ¹⁾	230 V AC/50 Hz 400 V AC/50 Hz 500 V AC/50 Hz
				350	ZE 500/50 S 320 ZEW..., ZEM... ¹⁾	
				550	ZE 500/50 S 500 ZEW..., ZEM... ¹⁾	
400	320	205	160	250	ZE 500/50 S 180 ZEW..., ZEM... ¹⁾	
				450	ZE 500/50 S 320 ZEW..., ZEM... ¹⁾	
				700	ZE 500/50 S 500 ZEW..., ZEM... ¹⁾	
500	420	305	210	330	ZE 500/50 S 180 ZEW..., ZEM... ¹⁾	
				580	ZE 500/50 S 320 ZEW..., ZEM... ¹⁾	
				910	ZE 500/50 S 500 ZEW..., ZEM... ¹⁾	
DISC BRAKES 002 ATZ						Weight: 92 kg ³⁾
450	350	200	175	700	ZE 800/60 S 450 ZEW..., ZEM... ¹⁾	230 V AC/50 Hz 400 V AC/50 Hz 500 V AC/50 Hz
				1300	ZE 1250/60 S 800 ZEW..., ZEM... ¹⁾	
				2000	ZE 1500/60 S 1250 ZEW...	
500	400	250	200	850	ZE 800/60 S 450 ZEW..., ZEM... ¹⁾	
				1500	ZE 1250/60 S 800 ZEW..., ZEM... ¹⁾	
				2300	ZE 1500/60 S 1250 ZEW...	
630	530	380	265	1100	ZE 800/60 S 450 ZEW..., ZEM... ¹⁾	
				2000	ZE 1250/60 S 800 ZEW..., ZEM... ¹⁾	
				3000	ZE 1500/60 S 1250 ZEW...	

- 1) when using ZEM... type thrustors, it is necessary to provide electromagnet supply *38 V DC, current intensity of 0.4 A+
- 2) thrustors for other voltage rating and frequency can be made after consultation
- 3) brake weight with thrustors with oil

Dimensions

H ⁴⁾	H ₁	H ₂	A	A ₁	A ₂	A ₃	B	B ₁	B ₂	B ₃	C	C ₁	E ₁	E ₂	f	d	Brake size and type
mm																-	
225	540	570	120	20	300	150	180	80	20	300	400	135	80	240	15	18	001 ATZ
280	685	725	140	20	370	215	130	130	20	375	490	170	90	330	15	22	002 ATZ

We are also offering tailor-made special versions.

4) after agreement the dimension can be changed