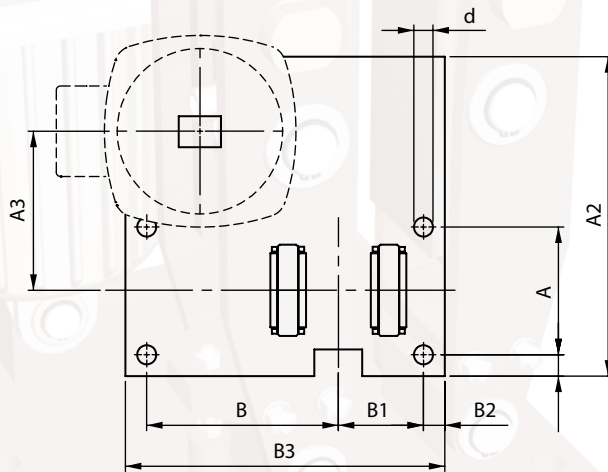
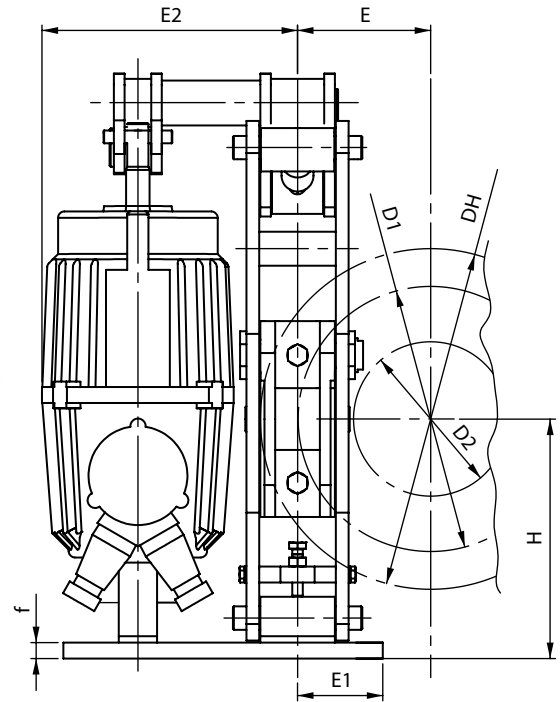
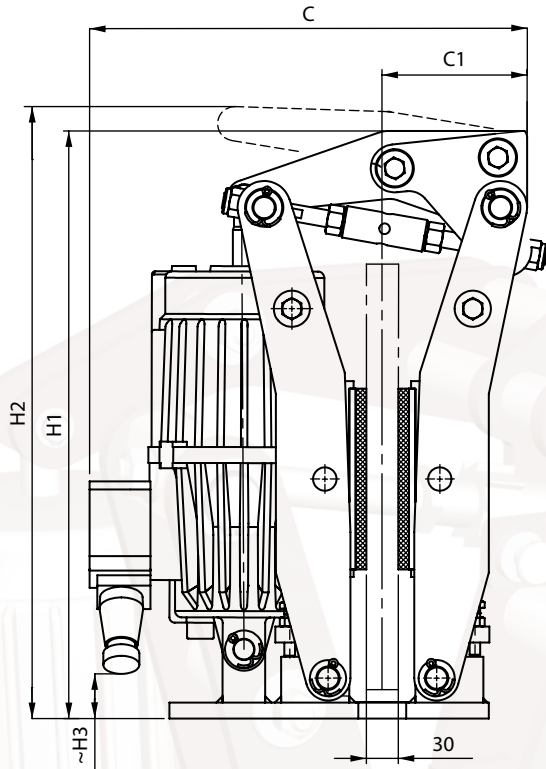


ATG DISC MINING BRAKES

with the electrohydraulic explosion-proof release

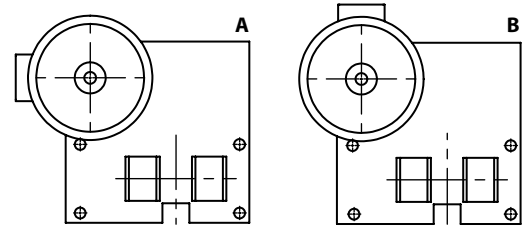
Example of designation of the ATG brake working with the brake disc with the diameter of $D_H=400\text{mm}$ and thickness of $B=30\text{ mm}$, in the left version, with the terminal box in A position, with the ExZE 800/60 r1 S450. 500V AC / 50 Hz electrohydraulic thru-stor, size of 001 ATG: (marking see page B2-1)

400/30-R-A-Ex ZE 800/60 r1 S450.500 V AC/50 Hz-001 ATG Disc mining brake



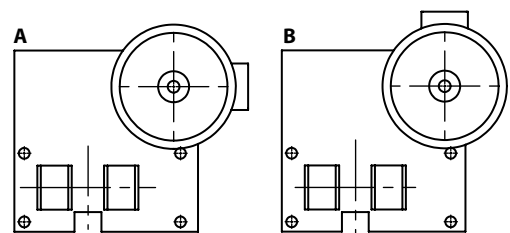
Brake in right version R

connection box in position:



Brake in left version L

connection box in position:



001 ATG DISC MINING BRAKES						Weight: 96 kg ³⁾
Brake disc diameter D _H	Theoretical braking diameter D ₁	Maximum hub or coupling diameter D ₂	E	Braking moment M _H	Thrustor type	Thrustor supply ²⁾
mm				Nm	–	V/Hz
320	248	145	125	500	ExZE 800/60 ...S 450 ExZEM 1250/60 ...S 450 ¹⁾	230 V AC/50 Hz 400 V AC/50 Hz 500 V AC/50 Hz 690 V AC/50 Hz ⁴⁾ 1000 V AC/50 Hz ⁴⁾
400	320	205	160	650	ExZE 800/60 ...S 450 ExZEM 1250/60 ...S 450 ¹⁾	
500	420	305	210	850	ExZE 800/60 ...S 450 ExZEM 1250/60 ...S 450 ¹⁾	
002 ATZ DISC MINING BRAKES						Weight: 92 kg ³⁾
450	350	200	175	700	ExZE 800/60 ...S 450 ExZEM 1250/60 ...S 450 ¹⁾	230 V AC/50 Hz 400 V AC/50 Hz 500 V AC/50 Hz 690 V AC/50 Hz ⁴⁾ 1000 V AC/50 Hz ⁴⁾
				1300	ExZE 1250/60 ...S 800 ExZEM 1250/60 ...S 800 ¹⁾	
				2000	ExZE 1500/60 ...S 1250	
500	400	250	200	850	ExZE 800/60 ...S 450 ExZEM 1250/60 ...S 450 ¹⁾	400 V AC/50 Hz 500 V AC/50 Hz 690 V AC/50 Hz ⁴⁾ 1000 V AC/50 Hz ⁴⁾
				1500	ExZE 1250/60 ...S 800 ExZEM 1250/60 ...S 800 ¹⁾	
				2300	ExZE 1500/60 ...S 1250	
630	530	380	265	1100	ExZE 800/60 ...S 450 ExZEM 1250/60 ...S 450 ¹⁾	1000 V AC/50 Hz ⁴⁾
				2000	ExZE 1250/60 ...S 800 ExZEM 1250/60 ...S 800 ¹⁾	
				3000	ExZE 1500/60 ...S 1250	

- 1) when using ZEM... type thrustors, it is necessary to provide electromagnet supply 42 V AC.
- 2) thrustors for other voltage rating and frequency can be made after consultation
- 3) brake weight with thrustors with oil
- 4) does not apply for thrustors of ExZEM type

Dimensions

H	H ₁	H ₂	H ₃	A	A ₁	A ₂	A ₃	B	B ₁	B ₂	B ₃	C	C ₁	E ₁	E ₂	f	d	Brake size and type
mm																		–
225	580	620	-10	120	20	300	175	180	80	20	300	485	155	80	291	15	18	001 ATG
280	685	715	50	140	20	370	215	130	130	20	375	570	190	90	330	15	22	002 ATG

We are also offering tailor-made special versions.