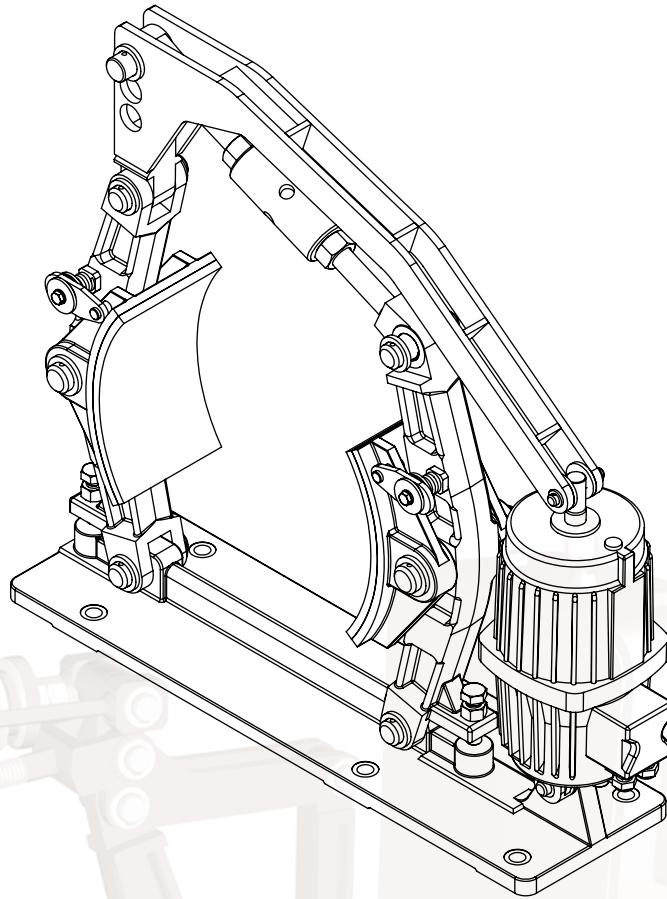


## SHOE BRAKES

### AHT Holding brake

The brake operating opposite of the standard brake. The spring inbuilt in the thruster causes that the brake is released, And providing and maintaining the voltage causes that the brake is applied and it remains in this state. After the supply is disconnected the brake is released.



B1-11