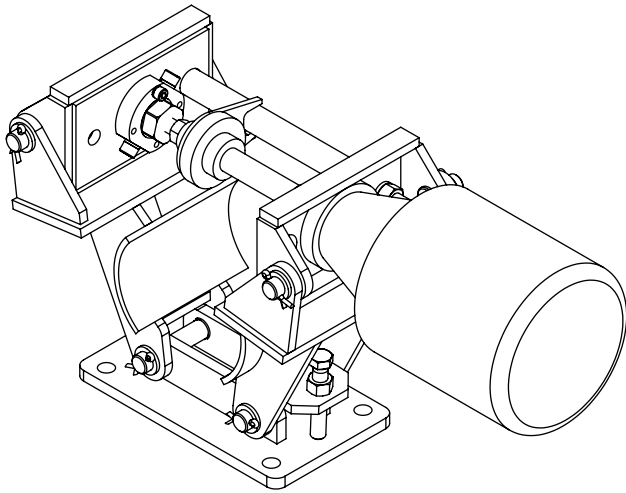


# AHN SHOE BRAKES

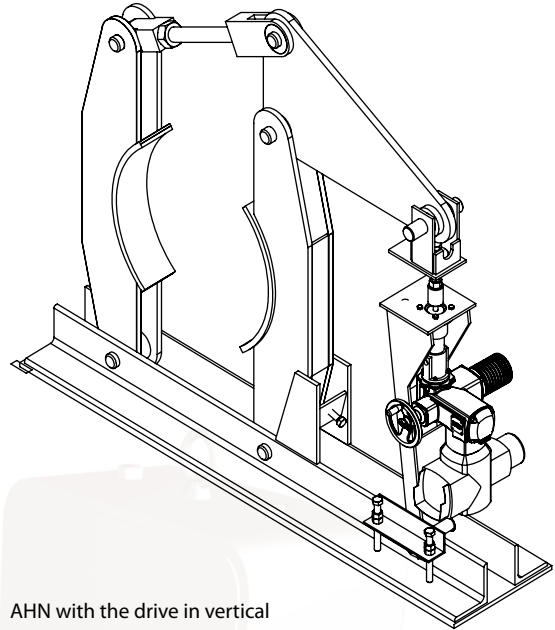
with electric drive

Cycle of applying or releasing the brake takes place only after providing the brake drive with the electric voltage. After the end of the cycle of applying or releasing the brake the voltage is turned off and the brake remains in this state till the next turning the voltage on in order to change this state (when there is a lack or decay of voltage – if the cycle of braking has not been finished – the brake will not be automatically applied or released). In the case of no voltage there is a possibility of manual applying or releasing the brake with the use of a crank. The details of brakes manufacturing are established individually.

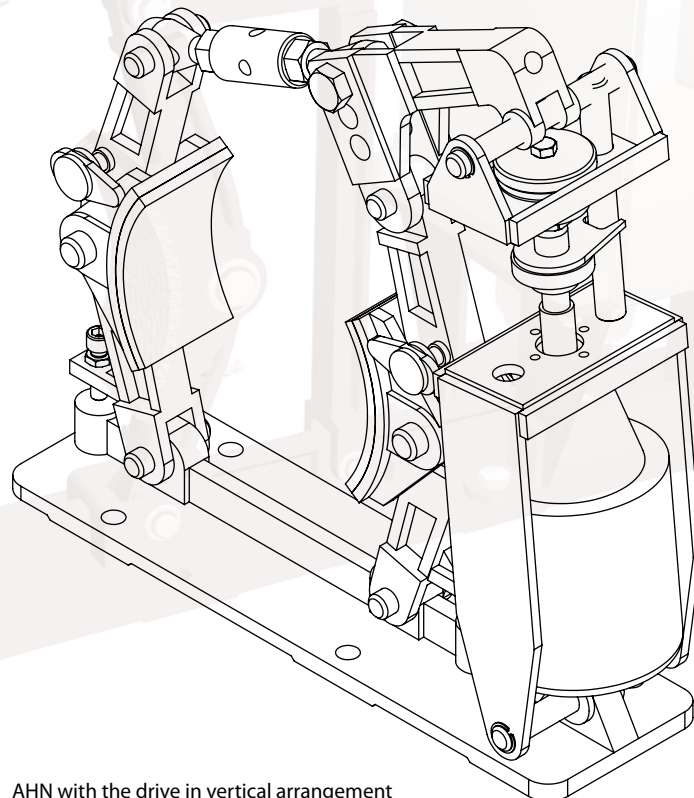
The brakes are intended for the use in fans as the brakes blocking the movement of the fan as a result of “ reverse draught” or in other devices.



AHN with the drive in horizontal arrangement for small diameters of the drums or adjustment directly on the shaft



AHN with the drive in vertical arrangement for big diameters of the drums



AHN with the drive in vertical arrangement for medium diameters of the drums