

AHG MINING BRAKES

Dimensions

Brake shoe width B	H	H ₁	H ₂	H ₃	b	b ₁	b ₂	b ₃	b ₄	a	a ₁	a ₂	c	d	f	Brake size and type
mm																-
70	180	518	578	-32	95	140	190	530	75	90	130	232	60	18	15	263 AHG
90	220	528	588	-22	120	170	215	550	55	120	160	232	80	18	15	264 AHG
110	250	585	645	-17	160	220	280	615	40	140	190	232	80	18	20	265 AHG
140	300	680	685	15	200	250	315	655	40	170	220	232	80	18	25	266 AHG
180	360	820	825	37	250	280	380	750	50	200	270	270	80	22	25	267 AHG
225	450	1025	≤ H ₁	126	325	280	475	825	50	230	300	270	100	22	30	268 AHG
255	500	1210	≤ H ₁	177	370	365	500	954	50	260	320	270	100	23	30	269 AHG
280	560	1275	≤ H ₁	206	400	400	580	1019	60	280	360	270	120	33	40	270 AHG

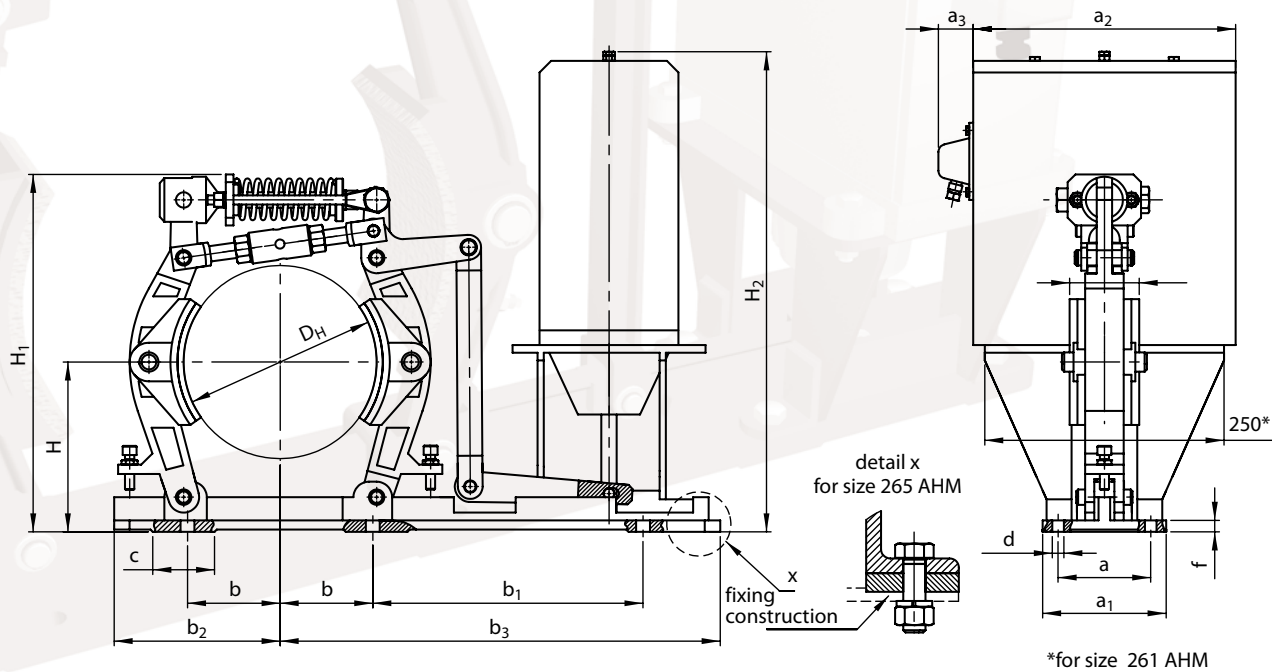
We are also offering tailor-made special versions.

AHM SHOE BRAKES

with electromagnetic thrustor

Example of designation of the AHM brake with the drum diameter of DH=200, with DZEMz 10-S3-500V/ 50Hz electromagnetic thrustor, size of 263 AHM, (marking see page B1-3)

200-DZEMz 10-S3-500 V AC/50 Hz- 263 AHM Shoe brake



Technical characteristics

Brake drum diameter D_H	Braking moment M_H	Thrustor type	Thrustor supply ¹⁾	Brake weight with thrustor	Brake size and type
mm	Nm	–	V/Hz	kg	–
120	20÷30	DZEMz 0	230 V AC/50 Hz 400 V AC/50 Hz 500 V AC/50 Hz	24,5	261 AHM
160	63÷100	DZEMz 10	230 V AC/50 Hz 400 V AC/50 Hz 500 V AC/50 Hz	39	262 AHM
200	125÷140	DZEMz 10	230 V AC/50 Hz 400 V AC/50 Hz 500 V AC/50 Hz	52	263 AHM
250	220÷320	DZEMz 30	230 V AC/50 Hz 400 V AC/50 Hz 500 V AC/50 Hz	97	264 AHM
320	400÷600	DZEMz 30	230 V AC/50 Hz 400 V AC/50 Hz 500 V AC/50 Hz	117	265 AHM

1) after agreement it is possible to produce thrustors for other voltage and frequency

Dimensions

Brake shoe width B	H	H ₁	H ₂	b	b ₁	b ₂	b ₃	a	a ₁	a ₂	a ₃	c	d	f	Brake size and type
mm															–
40	110	250	300	55	290	155	375	105	145	197	60	50	13	13	261 AHM
50	130	320	411	80	297	160	407	110	150	250	50	50	13	10	262 AHM
70	180	385	411	95	328	205	465	90	130	250	50	60	18	16	263 AHM
90	220	463	652	120	350	260	530	120	160	340	50	80	18	18	264 AHM
110	250	585	650	160	528	270	730	140	180	340	50	80	18	20	265 AHM

We are also offering tailor-made special versions.