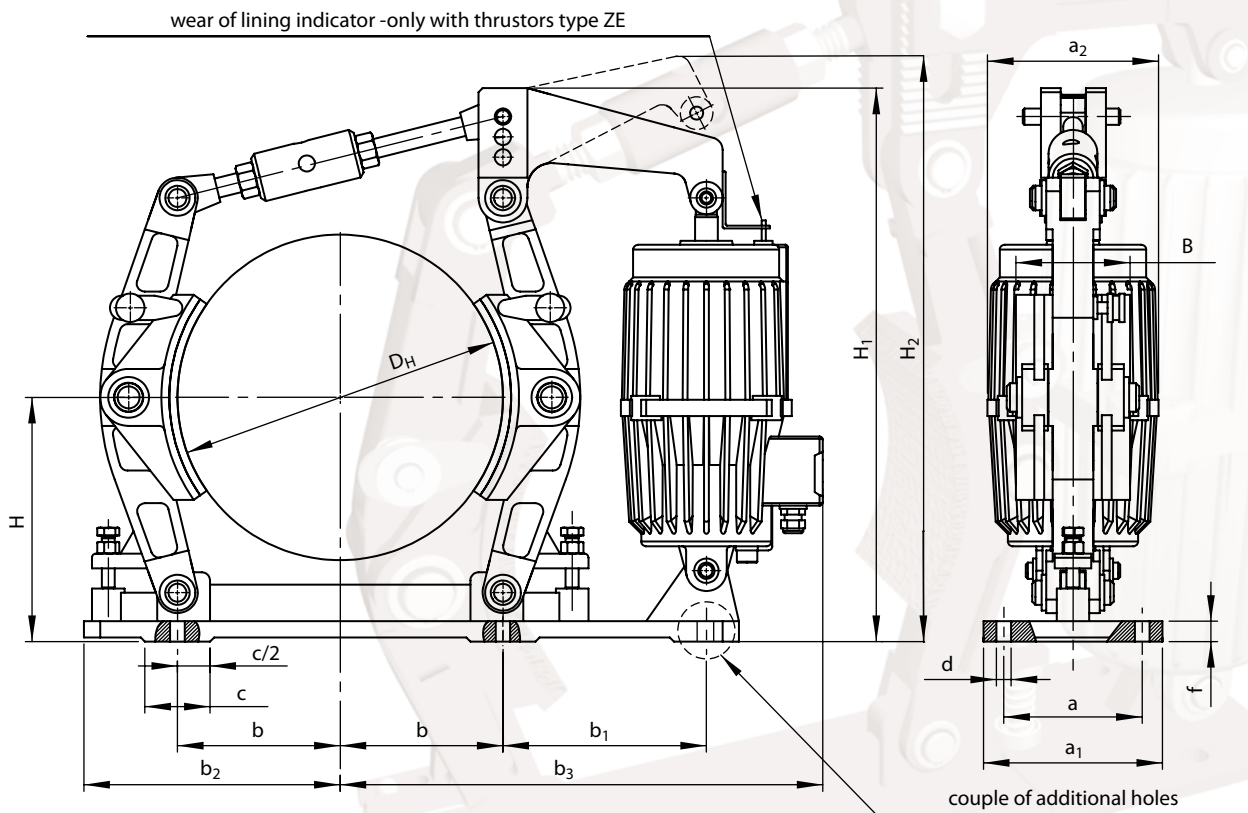


Example of designation of the AHH brake with the drum diameter of $D_H=250$ with the ZE 500/50 S500. 400 V AC / 50 Hz electrohydraulic thruster, size of 003: (marking see page B1-3)

250-ZE 500/50 S500. 400 V AC / 50 Hz- 264 AHH Shoe brake



Technical characteristics

Brake drum diameter D_H	Braking moment M_H	Thruster type	Thruster supply ²⁾	Brake weight with thruster ³⁾	Brake size and type
mm	Nm	-	V/Hz	kg	-
120	20÷50	EB 120-40 C120	230÷500 V AC/50Hz	21	261 AHH
160	50÷100	EB 12/50 C22	230 V AC/50 Hz 400 V AC/50 Hz 500 V AC/50 Hz	26	262 AHH
	80÷160	ZE 500/50 S 320		31	
		ZEW 500/50 S 320 ZEM 500/50 S 320 ¹⁾			
200	90÷190	ZE 500/50 S 320 ZEW 500/50 S 320 ZEM 500/50 S 320 ¹⁾	230 V AC/50 Hz 400 V AC/50 Hz 500 V AC/50 Hz	44	263 AHH
250	190÷365	ZE 500/50 S 500 ZEW 500/50 S 500 ZEM 500/50 S 500 ¹⁾	230 V AC/50 Hz 400 V AC/50 Hz 500 V AC/50 Hz	52	264 AHH
320	310÷590	ZE 500/50 S 500 ZEW 500/50 S 500 ZEM 500/50 S 500 ¹⁾	230 V AC/50 Hz 400 V AC/50 Hz 500 V AC/50 Hz	85	265 AHH
400	580÷1160	ZE 1250/60 S 800 ZEW 1250/60 S 800 ZEM 1250/60 S 800 ¹⁾	230 V AC/50 Hz 400 V AC/50 Hz 500 V AC/50 Hz	98	266 AHH

continuation of the table on the next page

AHH SHOE BRAKES

continuation of the table from the previous page

Brake drum diameter D_H	Braking moment M_H	Thrustor type	Thrustor supply ²⁾	Brake weight with thrustor ³⁾	Brake size and type
mm	Nm	–	V/Hz	kg	–
500	1000÷1570	ZE 1500/60 S 1250 ZEW 1500/60 S 1250	230 V AC/50 Hz 400 V AC/50 Hz 500 V AC/50 Hz	156	267 AHH
	1600÷2500	ZE 2500/60 S 2000 ZEW 2500/60 S 2000 ZEM 2500/60 S 2000 ¹⁾	230 V AC/50 Hz 400 V AC/50 Hz 500 V AC/50 Hz	168	
630	2300÷4000	ZE 2500/60 S 2000 ZEW 2500/60 S 2000 ZEM 2500/60 S 2000 ¹⁾	230 V AC/50 Hz 400 V AC/50 Hz 500 V AC/50 Hz	255	268 AHH
710	3100÷5000	ZE 2500/60 S 2000 ZEW 2500/60 S 2000 ZEM 2500/60 S 2000 ¹⁾	230 V AC/50 Hz 400 V AC/50 Hz 500 V AC/50 Hz	354	269 AHH
800	4800÷7000	ZE 3200/80 S 2500 ZEW 3200/80 S 2500 ZEM 3200/80 S 2500 ¹⁾	230 V AC/50 Hz 400 V AC/50 Hz 500 V AC/50 Hz	440	270 AHH

We are also offering tailor-made special versions.

- 1 when utilising the ZEM... type thrustors it is necessary to provide electromagnet supply (38 V DC, current intensity of 0,4 A, for ZEM 500, ZEM 800, ZEM 1500 thrustor / and 0,8 A /for ZEM 2500, ZEM 3200 thrustor/),
- 2) thrustor with different voltage rating and frequency can be made after consultation
- 3) brake weight with oil thrustor

Dimensions

Brake shoe width B	H	H ₁	H ₂	b	b ₁	b ₂	b ₃	a	a ₁	a ₂	c	d	f	Brake size and type
mm														–
40	110	320	350	55	160	115	343	75	105	110	50	14	12	261 AHH
50	130	420 ⁴⁾	430 ⁴⁾	80	190	145	395 ⁴⁾	75	120	162 ⁴⁾	60	14	12	262 AHH
		457	505											
70	180	470	505	95	140	190	405	90	130	180	60	18	15	263 AHH
90	220	515	575	120	170	215	440	120	160	180	80	18	15	264 AHH
110	250	585	600	160	220	280	515	140	190	180	80	18	20	265 AHH
140	300	680	690	200	250	315	593	170	220	210	80	18	25	266 AHH
180	360	820	830	250	280	380	673	200	270	210 ⁵⁾	80	22	25	267 AHH
										254				
225	450	1025	1035	325	280	475	762	230	300	254	100	22	30	268 AHH
255	500	1210	1220	370	365	500	892	260	320	254	100	23	30	269 AHH
280	560	1275	1285	400	400	580	960	280	360	254	120	33	40	270 AHH

We are also offering tailor-made special versions.

- 1) on request we can produce the brake of other diameter of the brake drum
- 2) dimensions of the brake with the EB 12/50 C22 thrustor
- 3) dimensions of the brake with the ZE 1500/60 S 1250 and ZEW 1500/60 S 1250 thrustor