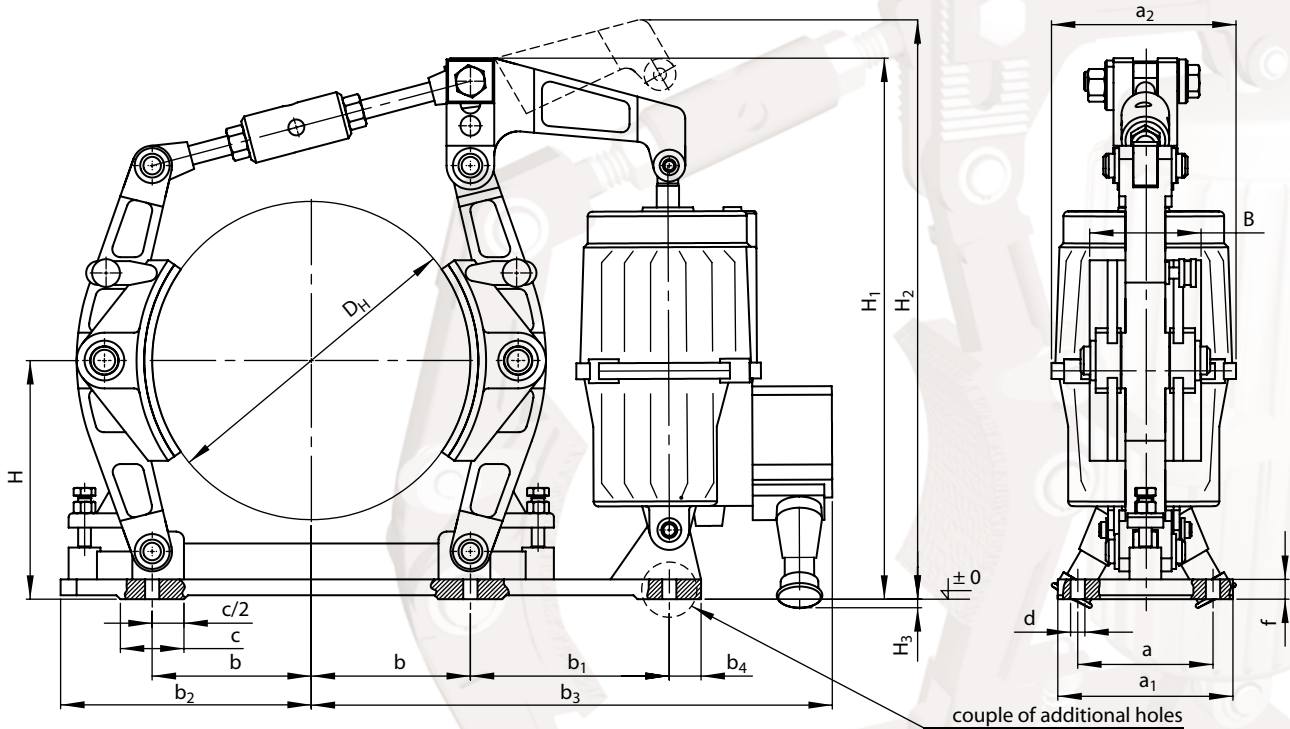


Example of designation of the AHG brake with the drum diameter of $D_H=250$ with the ExZE 800/60 r1 S450.500 V AC / 50 Hz explosion-proof electrohydraulic thruster, size of 264: (marking see page B1-3)

250-ExZE 800/60 r1 S450.500 V AC/50 Hz- 264 AHG Mining brake



Technical characteristics

Brake drum diameter D_H ¹⁾	Braking moment M_H	Thruster type ²⁾	Thruster supply	Brake weight with thruster ⁴⁾	Brake size and type
mm	Nm	-	V/Hz	kg	-
200	170÷360	ExZE 800/60... S450 ExZEM 1250/60... S450 ³⁾	230 V AC/50 Hz	81	263 AHG
250	210÷400	ExZE 800/60... S450 ExZEM 1250/60... S450 ³⁾		95	264 AHG
320	320÷600	ExZE 800/60... S450 ExZEM 1250/60... S450 ³⁾	400 V AC/50 Hz	107	265 AHG
400	580÷1160	ExZE 1250/60... S800 ExZEM 1250/60... S800 ³⁾	500 V AC/50 Hz	135	266 AHG
500	640÷960	ExZEM 1250/60... S800 ³⁾	660 V AC/50 Hz ⁵⁾	198	267 AHG
	1000÷1500	ExZE 1500/60... S1250	1000 V AC/50 Hz ⁵⁾	205	
	1600÷2500	ExZE 2500/60... S2000		292	268 AHG
630	2300÷4000	ExZE 2500/60... S2000		390	269 AHG
710	3100÷5000	ExZE 2500/60... S2000		473	270 AHG
800	4800÷7000	ExZE 3200/80... S2500			

We are also offering tailor-made special versions.

- 1) on request we can produce the brake of other diameter of the brake drum
- 2) dotted place for connector type designation and thermal protection type (see thruster description)
- 3) with the use of releases of ExZEM type – it is necessary to provide the supply of the electromagnet 42 VAC
- 4) brake weight with oil thruster
- 5) does not apply for thrusters of ExZEM type

AHG MINING BRAKES

Dimensions

Brake shoe width B	H	H ₁	H ₂	H ₃	b	b ₁	b ₂	b ₃	b ₄	a	a ₁	a ₂	c	d	f	Brake size and type
mm																-
70	180	518	578	-32	95	140	190	530	75	90	130	232	60	18	15	263 AHG
90	220	528	588	-22	120	170	215	550	55	120	160	232	80	18	15	264 AHG
110	250	585	645	-17	160	220	280	615	40	140	190	232	80	18	20	265 AHG
140	300	680	685	15	200	250	315	655	40	170	220	232	80	18	25	266 AHG
180	360	820	825	37	250	280	380	750	50	200	270	270	80	22	25	267 AHG
225	450	1025	≤ H ₁	126	325	280	475	825	50	230	300	270	100	22	30	268 AHG
255	500	1210	≤ H ₁	177	370	365	500	954	50	260	320	270	100	23	30	269 AHG
280	560	1275	≤ H ₁	206	400	400	580	1019	60	280	360	270	120	33	40	270 AHG

We are also offering tailor-made special versions.

AHM SHOE BRAKES

with electromagnetic thrustor

Example of designation of the AHM brake with the drum diameter of DH=200, with DZEMz 10-S3-500V/ 50Hz electromagnetic thrustor, size of 263 AHM, (marking see page B1-3)

200-DZEMz 10-S3-500 V AC/50 Hz- 263 AHM Shoe brake

