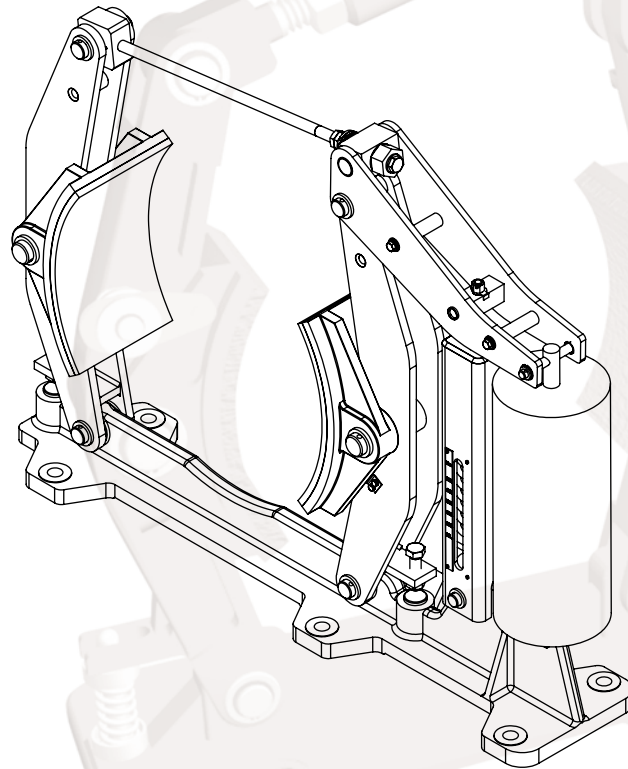


On request we manufacture special types of brakes taking into account individual wishes and requirements of the customer. Special constructions can differ in dimensions in relation to the catalogue dimensions and they can also constitute new construction adjusted to the needs of the machine construction in which the brake will be inbuilt.

Below some types are presented

AHH Shoe brake with external spring

Braking torque is smoothly adjusted by the spring inbuilt outside the thrustor.



AHC Load brake

Braking torque is created by the load mounted to the brake lever and it does not depend on the degree of lining wear (in acceptable scope of lining thickness operation). In the brake the thrustor without the spring is used.

