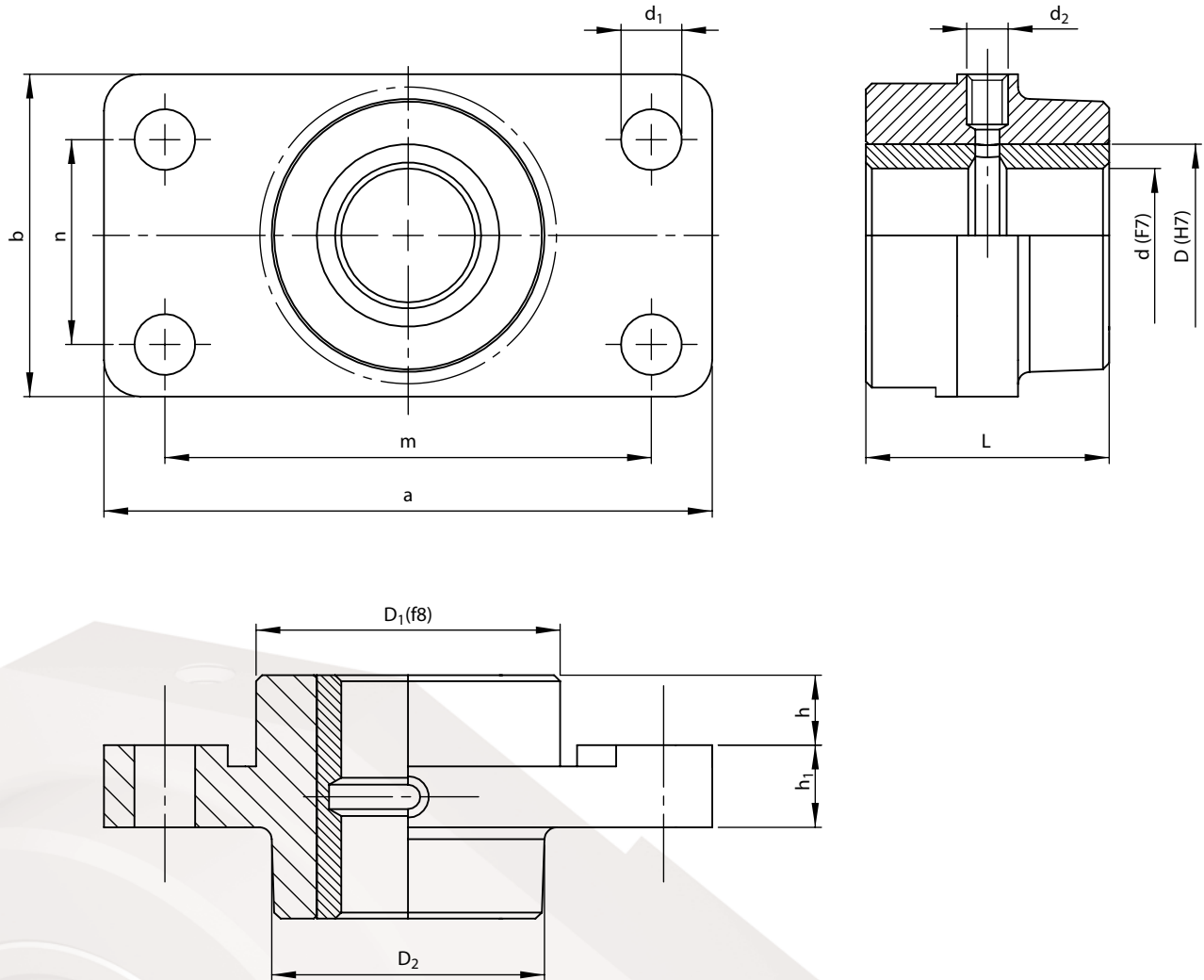


AKO-4 HEAVY FLANGE CASES

Examples of designations of the AKO-4 case with the hole diameter of $D=115\text{mm}$ with A100/115x120-B101 sleeve, size of 103: (marking see page C1-1)

115-A 100/115x120-B101-103 AKO-4 Heavy flange case

- without sleeve 115-BT-103 AKO-4 Heavy flange case
- Connection and dimensional sizes of the cases acc. to PN-83/M-87007 (except the sizes marked with "x")



D	D ₁	D ₂	L	h	h ₁	a	b	m	n	d ₁	d ₂	Weight	d Sleeve diameter [PN-80/M-87101]	Case size and type		
mm																
90	140	130	90	30	30	230	150	190	110	22	M10x1*	9,81	75	101 AKO-4		
95			100	40*	32							9,32	80;85			
105	160	150	120	40	35	260	170	210	120	26		16,00	90	102 AKO-4		
115	180	170				280	190	230	140	19,32		95;100	103 AKO-4			
125	190	180				290	200	240	150	19,89		105;110	104 AKO-4			
135	210	200				330	230	270	170	30,30		120	105 AKO-4			
155	230	220	180	40	40	340	240	280	180	33		29,11	140	106 AKO-4		
165						360	250	300	190	35,92		150	107 AKO-4			
180						240	230	380	270	320		210	37,34		160	108 AKO-4
200						260	250	380	270	320		210	54,74		180	108 AKO-4

We are also offering tailor-made special versions.