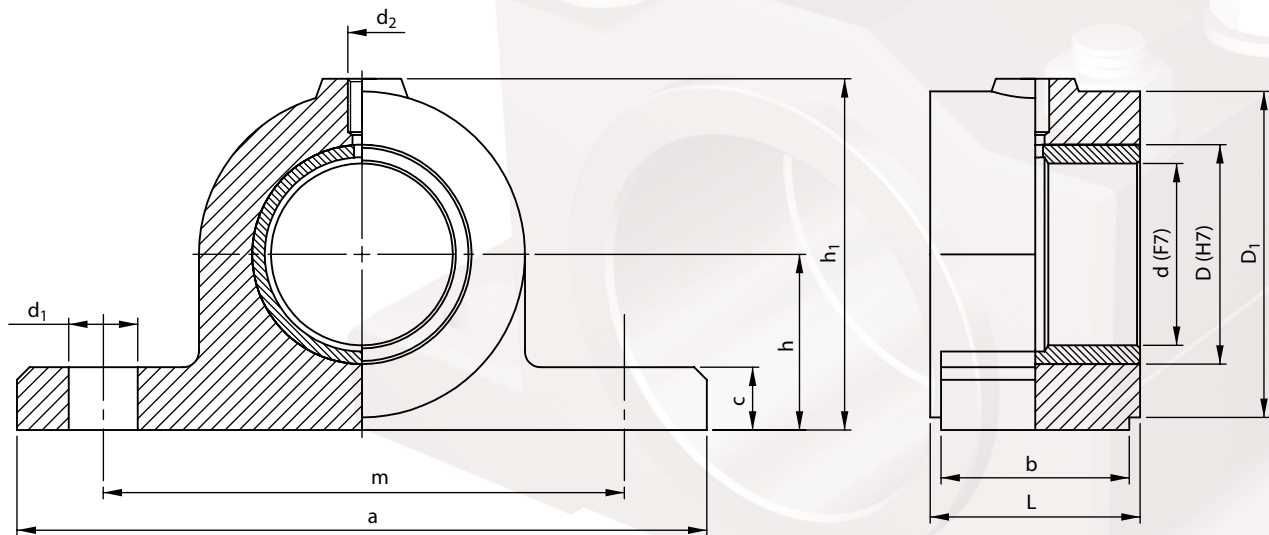


Example of designation of the AKN case with the hole diameter of $D=26$ mm with A22/26x30-B101 sleeve, size of 103: (marking see page C1-1)

26-A 22/26x30-B101-103 AKN Block case

- without sleeve: 26-BT-103 AKN Block case
- Connection and dimensional sizes of the cases acc. to PN-83/M-87008



D	D ₁	L	h	h ₁	a	b	c	m	d ₁	d ₂	d Sleeve diameter [PN-80/M-87101]	Case size and type
mm												
18	38	20	22	45	90	16	12	65	9	M10x1	12;14	101 AKN
20											14;16	
22	42	30	25	50	105	20	14	75	11		16;18	102 AKN
24											18;20	
26	50		28	58	120	25	16	100	13		20;22	103 AKN
28											22	
32	60	40	34	68	140	32	16	120	17		25	104 AKN
36											28;30	
40	70	50	42	80	165	20	25	145	22		32	105 AKN
45											35;38	
50	80	60	48	95	200	50	25	165	26	40;42	106 AKN	
55										90		45
60	104	70	56	112	220	63	32	200	33	50	108 AKN	
65										55		
75	126	80	71	140	270	80	36	235	39	60;65	109 AKN	
85										90		70;75
95	150	100	85	165	315	100	40	265	33	80;85	110 AKN	
105										90		95;100
115	180	120	100	195	345	100	45	310	39	105;110	111 AKN	
125										120		
140	210	150	118	226	410	125	45	330	39	120	112 AKN	
155										230		180

We are also offering tailor-made special versions.