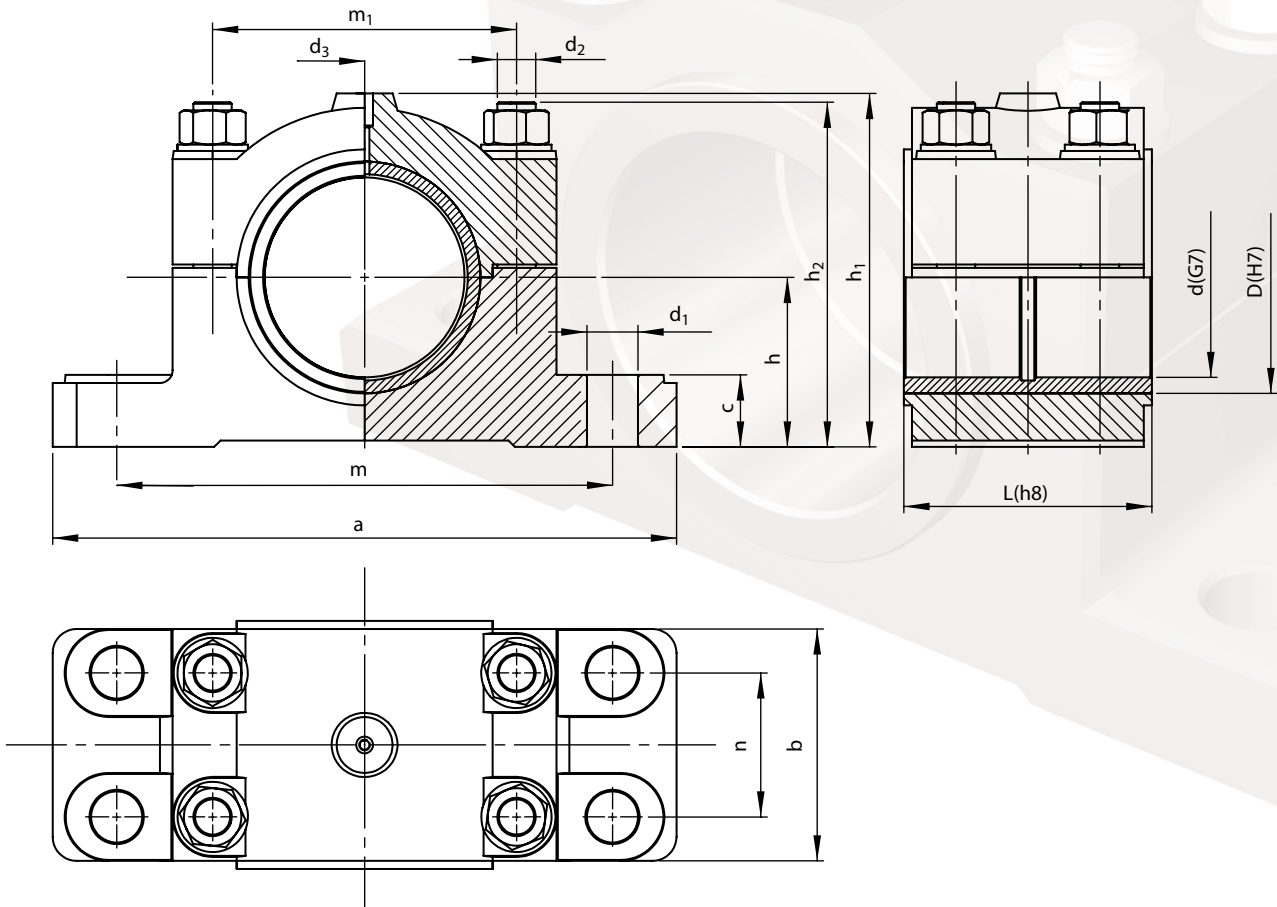


**Example of designation** of the AKD-4 case with the hole diameter of  $D=95$  mm with A 85/95x100-B101 bearing, size of 103: (marking see page C1-1)

**95-A 85/95x100-B101-103 AKD-2 Heavy non-block case**

- without bearing: 95-BT-103 AKD-4 Heavy non-block case
- Connection and dimensional sizes of the cases acc. to PN-83/M-87010



D	L	h	h <sub>1</sub>	h <sub>2</sub>	a	b	c	m	m <sub>1</sub>	n	d <sub>1</sub>	d <sub>2</sub>	d <sub>3</sub>	d Bearing diameter [PN-81/M-87102]	Case size and type
mm															-
60	60	53	105	102	210	60	25	160	95	30	13	M10	M12x1,5	50;(53)	101 AKD-4
65	70													55	
75	80	71	140	140	250	80	30	200	125	40	17	M12		60;65	102 AKD-4
85	90													70;75	
95	100	85	170	170	310	100	35	250	150	56	22	M16		80;85	103 AKD-4
110	120													90;95	
120	120	95	185	185	340	130	40	270	170	80	32	M24		100;105	104 AKD-4
130														110	
145	150	106	211	210	390	155	45	310	190	90	32	M24		(125);130	105 AKD-4
160	180	118	230	240	420	170		340	210	100				140	106 AKD-4
185	180	132	262	260	440	200		360	230	120			160	107 AKD-4	
210	250	140	290	280	480	230		400	270	150			180;190	108 AKD-4	

We are also offering tailor-made special versions.