

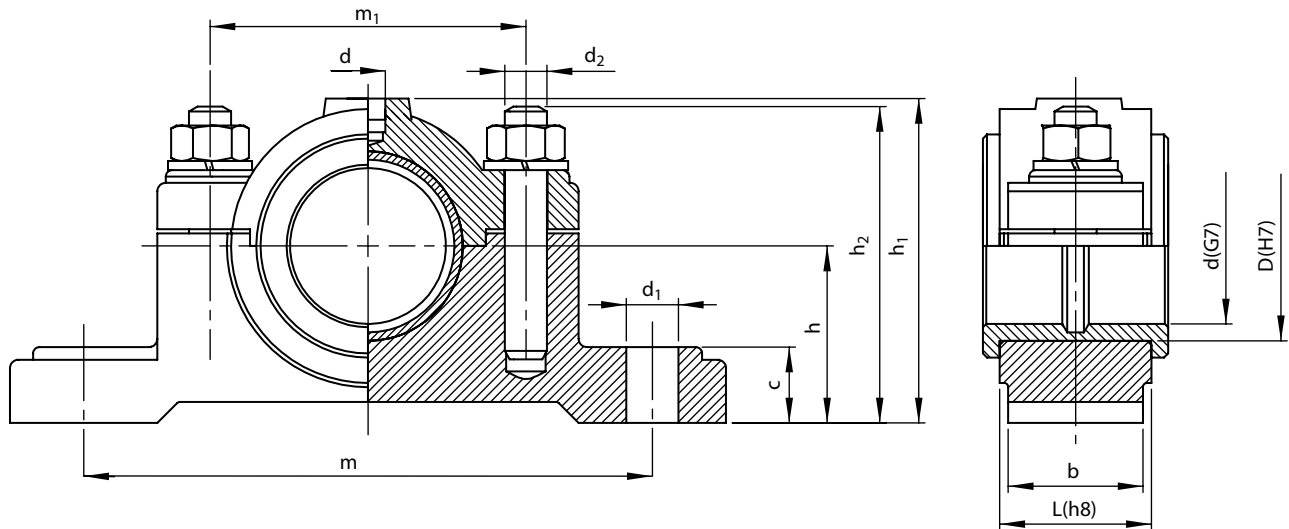
AKD-2 LIGHT CASES

Example of designation of the AKD-2 case with the hole diameter of $D=50$ mm with C42/50x40-B101 bearing, size of 103: (marking see page C1-1)

50-C 42/50x40-B101-103 AKD-2 Light non-block case

■ without bearing: 50-BT-103 AKD-2 Light non-block case

Connection and dimensional sizes of the cases acc. to PN-83/M-87009



D	L	h	h ₁	h ₂	a	b	c	m	m ₁	d ₁	d ₂	d ₃	d Bearing diameter [PN-81/M-87102]	Case size and type
mm														
32	30	32	64	60	155	25	15	120	60	11	M8	M10x1	25	101 AKD-2
36		42	77	80	170	32	18	135	70	13	M10		28;30	
40		45	88	90	185	38	20	150	80				35;38	
50	40	45	88	90	185	38	20	150	80	17	M12	40;42	103 AKD-2	
55	50	53	105	102	215	48	25	170	95			(53);50		
60	50	53	105	102	215	48	25	170	95	17	M12	55	104 AKD-2	
65	60	70	139	140	280	58	30	220	125	22	M16	60;65	105 AKD-2	
75	70	70	139	140	280	58	30	220	125	22	M16	70;75		
85	80	85	170	170	320	75	35	260	150	26	M20	80;85	106 AKD-2	
95	80	85	170	170	320	75	35	260	150	26	M20	95;90		
110	100	95	185	195	380	95	40	300	170	32	M24	M12x1,5	95;100	107 AKD-2
120		95	185	195	380	95	40	300	170	32	M24		110	
130		95	185	195	380	95	40	300	170	32	M24		110	

We are also offering tailor-made special versions.