



### ASK FLANGE COUPLINGS

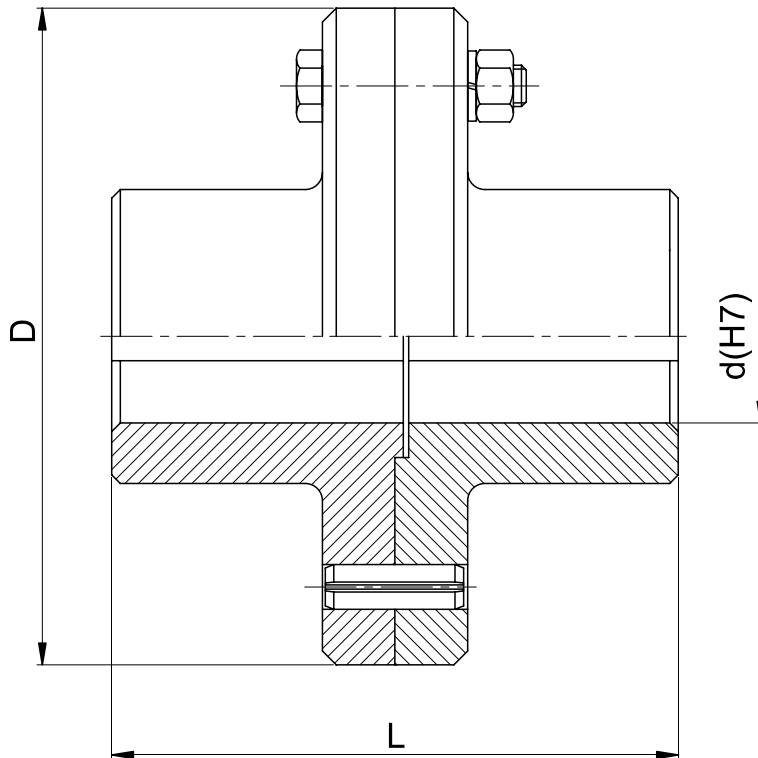
Example of designation ASK type coupling with the hole diameter of  $d=45$  mm and size of 103:

**45- 103 ASK Flange Coupling**

Prod. sheet No.

**2 ASK**

03.2004



Nominal torque $M_n$	$d_{max}$	D	L	Max rotational speed $n_{max}$	Moment of inertia I	Weight m	Coupling size
Nm		mm		1/min	kgm <sup>2</sup>	kg	-
95	25	130	116	1900	0,009	5,0	101 ASK
130	30						
190	35	140	164	1800	0,024	9,0	102 ASK
260	40						
380	45	190			0,047	12,5	103 ASK
520	50						
750	55	220	210	1600	0,12	26,6	104 ASK
1050	60					25,6	
1500	65					24,8	
2100	70					24,0	
3000	80	260	260	1400	0,27	43,5	105 ASK
4200	90					40,7	
6000	100	320	330	1200	0,80	85,0	106 ASK
8500	110					80,0	
11000	125					73,0	
17000	140	380	400	1120	1,62	117,0	107 ASK
24000	160	450	480	1000	5,12	262,0	108 ASK
34000	180					242,0	
48000	200		560			5,30	

We produce splineways as recommended, normally acc. to PN-70/M-85005, with the Js9 tolerance.  
Material - steel, cast iron

***We are also offering tailor-made special versions.***